



RS II DI

ROBUST AND HIGH-PERFORMANCE

- **DI (Double Insulated) pump:** insulated motor shaft, no contact with water
- Suitable for **large flow volumes (infinity or overflow)**
- **Lexan™ transparent lid with wingnut closing system, no tools needed**
- 2950 cm³ Strainer, extra large basket for minimal maintenance
- **High resistance to heat and corrosion-free**
- Durable: fiber-glass reinforced resin components
- **Union fittings provided**
- **Direct replacement** of former RS II models
- Recommended for pool up to 195 m³*

* Calculation based on 6 hours turnover



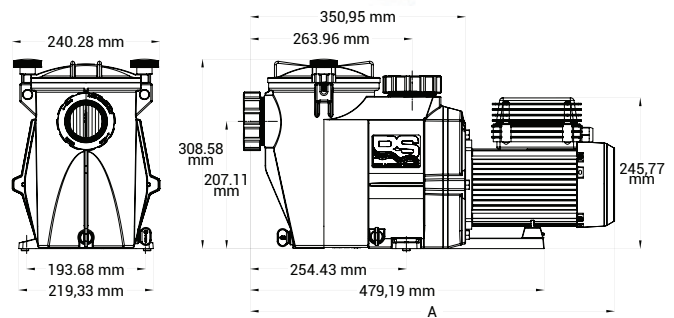
Input / Output 2" internal 50 mm or 63 mm depending on the model



Transparent strainer lid



Wing screw drain plug

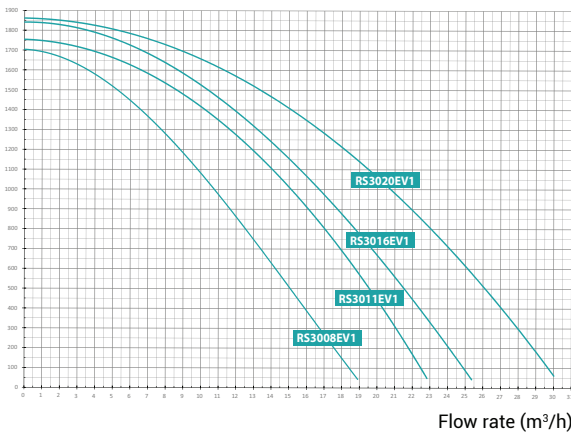


Technical Specifications

| | |
|-------------------------------|-----------------------------------|
| Max. water temp. | 35°C |
| Mechanical seal | AISI 304, suitable for salt water |
| Motor specifications | Class F, IP55, 50 Hz, 2 Poles |
| Housing/impeller/strainer/lid | PP+GF/Noryl® + GF/ABS/PC |

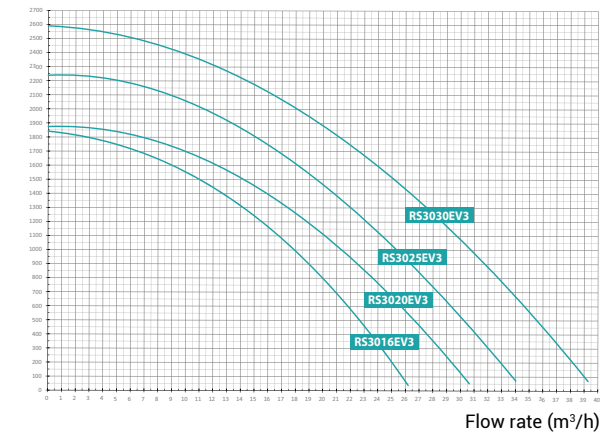
• RS II DI Single phase Curve

Pressure (mbar)



• RS II DI Three phase Curve

Pressure (mbar)



| | Type | Dim A | Weight | I/O | Flow rate* | Input Power P1 | Output Power P2 | Amperage | Item |
|-----------------------|--------|--------|---------|-------|-------------------------|----------------|-----------------|-------------|-----------------|
| SINGLE PHASE RS II DI | 3/4 HP | 569 mm | 12.8 kg | 50 mm | 12.5 m ³ /h | 800 W | 573 W | 3.6 A | RS3008EV1 |
| | 1 HP | 569 mm | 13.9 kg | 50 mm | 17 m ³ /h | 930 W | 694 W | 4.15 A | RS3011EV1 |
| | 1.5 HP | 594 mm | 15 kg | 63 mm | 18.75 m ³ /h | 1100 W | 812 W | 5.30 A | RS3016EV1 |
| | 2 HP | 594 mm | 15 kg | 63 mm | 23 m ³ /h | 1400 W | 1052 W | 6.50 A | RS3020EV1 |
| THREE PHASE RS II DI | 2 HP | 600 mm | 17 kg | 63 mm | 23.7 m ³ /h | 1764 W | 1500 W | 5.72/3.30 A | RS3020EV3 IE3 ✓ |
| | 2.5 HP | 630 mm | 20.5 kg | 63 mm | 27.5 m ³ /h | 2560 W | 2200 W | 8.20/4.70 A | RS3025EV3 IE3 ✓ |
| | 3 HP | 630 mm | 20.5 kg | 63 mm | 32.85 m ³ /h | 2560 W | 2200 W | 8.20/4.70 A | RS3030EV3 IE3 ✓ |

* under 8 m water column pressure